

Using your WN2 to Control External Relays

Rev.1

BRIEF:

You can control external relays with your WN-2 to switch antennas or other external power devices. Use the schematic below as a 2:1 antenna switch, or modify the schematic for your needs.

INSTRUCTIONS:

Your WN2 has 16-pin ribbon connector on the rear panel with the pinout shown as below:

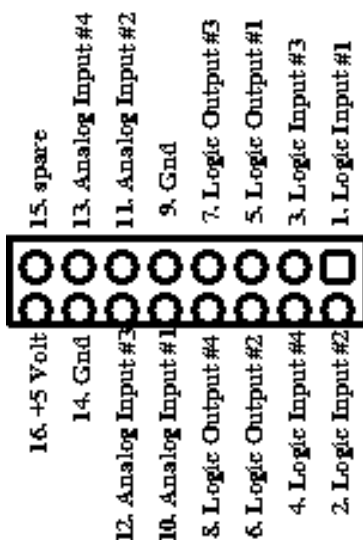
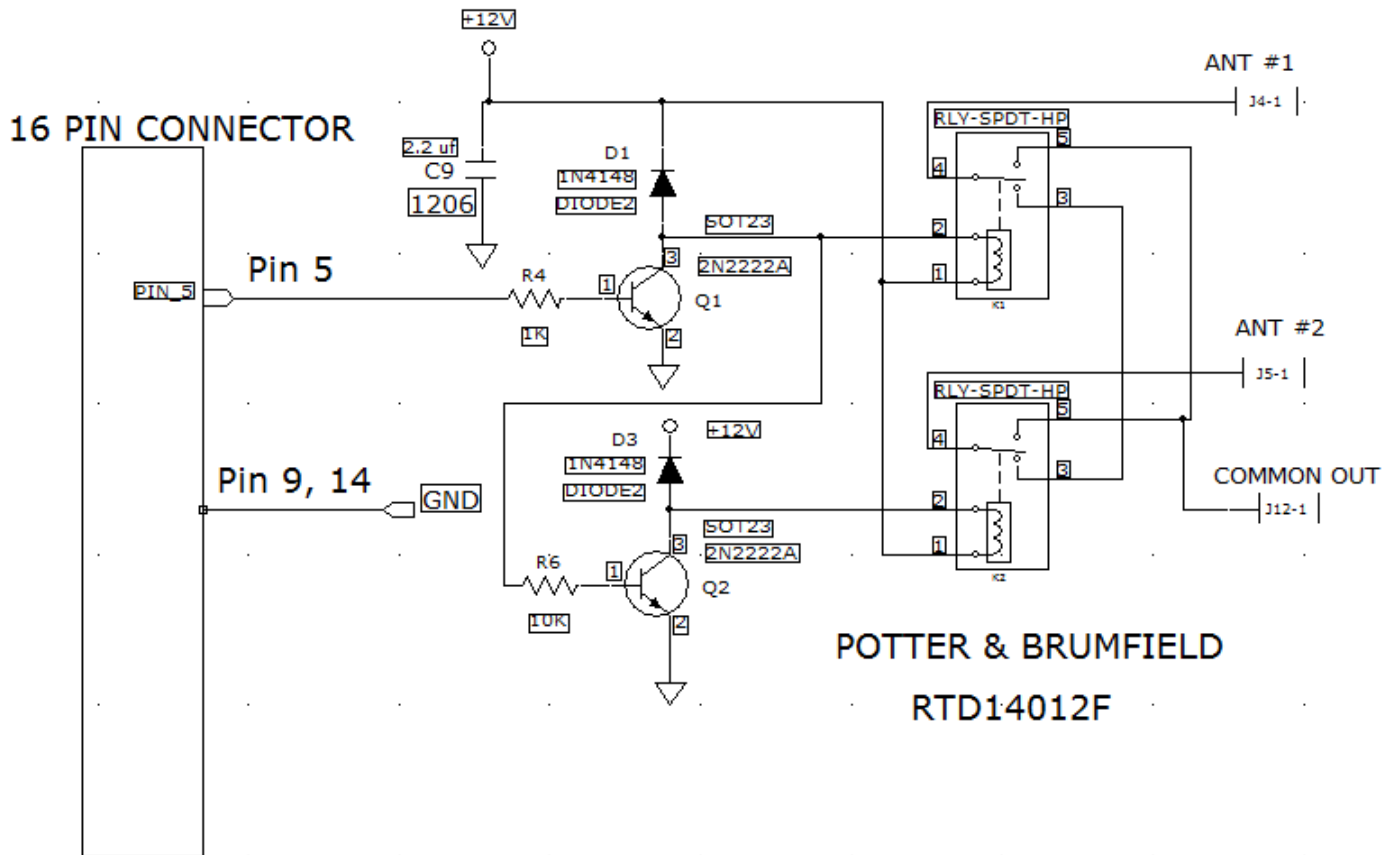


Fig. #1 This view is looking at the connector from the rear panel. Note that pin 1 is at the upper-right.

You will need a standard 16 pin ribbon connector to interface to the connector on the rear panel.



3. Setting up the Hardware:

The schematic shows a P and B relay (20 amp) used to switch between two antennas in a simple 2:1 configuration. Logic output #1 is used to switch between the two antennas and is controlled by the Logic #1 button on the software Main screen. These relays can handle 1500 watts and are available from Digikey and other suppliers.

This schematic is an example of how to use the logic outputs, you can use this to control solid-state switches to turn on/off auxiliary equipment.